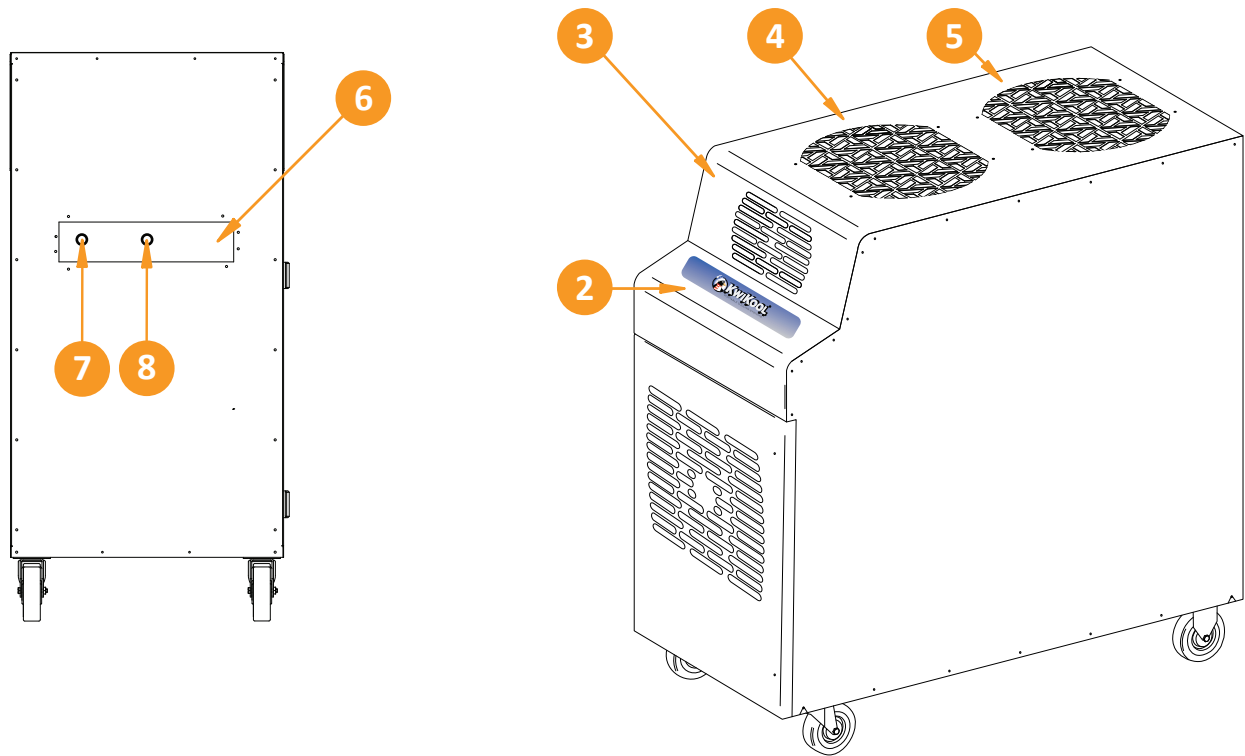
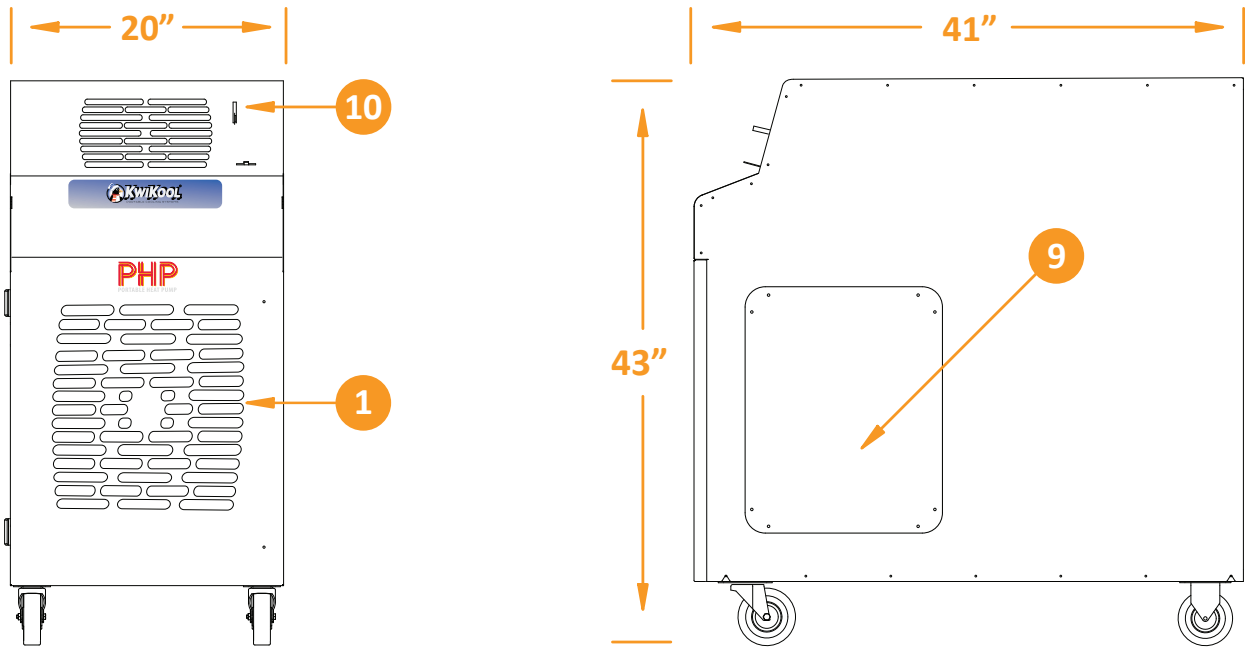


PHP

PORTABLE HEAT PUMP



KPHP2211

- 1. Cold Air Return
- 2. Control Pad
- 3. Air Supply
- 4. Vent Control
- 5. Access Door
- 6. Cord Storage
- 7. Condensate Alarm Jack
- 8. Condensate Nipple
- 9. Condenser Air Inlet
- 10. Vent Control

CAPACITY

HEATING	BTU/hr @95 F at 60%RH	21,240 / 1.8 Ton
COOLING	BTU/hr @95 F at 60%RH	17,700 / 1.5 Ton

COMPRESSOR

Compressor Type	Hermetic Rotary
Operating Cooling Temp	60-110°F 50% RH
Operating HeatingTemp	40-80°F 50% RH
Non-CFC Refrigerant	410A

EVAPORATOR FAN

Fan Type (Centrifugal)	Direct Drive
Air Flow (CFM)	600
Supply Air Data	Adjustable Vent
Supply Air Chute Data (Optional)	2 - 6" dia x 16" length

CONDENSER FAN

I/O Integral Condenser - In/Out	Balanced Air Flow
Fan Type (Centrifugal)	Direct Drive
Air Flow (CFM)	950
Optional Condenser Duct	2 - 12" dia x 8" length
Maximum Duct Length	25'

ELECTRICAL

Power Supply (Volts)	115 V / Single Phase
Current Consumption (Amps)	16.2
Power Consumption (kW)	1.65
Maximum Circuit Breaker (Amps)	20
Recommended Breaker Size	20
Minimum Circuit Ampacity (Amps)	19.575
Min/Max Voltage	105 - 125
Power Cord Gauge / Length in Feet	12 AWG / 6'
Plug Configuration	NEMA 5 - 20

DIMENSIONAL

Width x Length x Height (inches)	20.25" x 41" x 43.25"
Weight (lbs)	278
Shipping Weight (lbs)	328
Ceiling Kit CK-12 Weight (lbs)	38
Shipping Weight with Ceiling Kit (lbs)	366

SAFETY DEVICE

Compressor Overload	Internal
Fan Motor Overload	Automatic Internal
Evaporator Freeze-up	Hot Gas Bypass
High Pressure Switch	Manual
Low Pressure Switch	Auto
Compressor Short Cycle	Yes
Automatic Restart	Yes
Condensate Pump Safety Cut-off	Yes
Condensate Tank Overflow	Yes
Thermostat Type	Digital Microprocessor