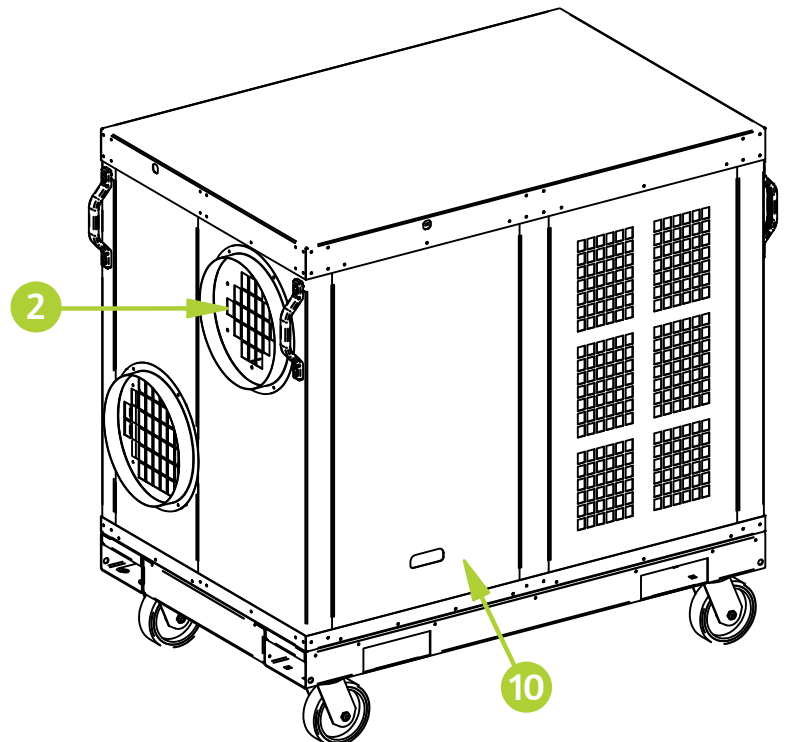
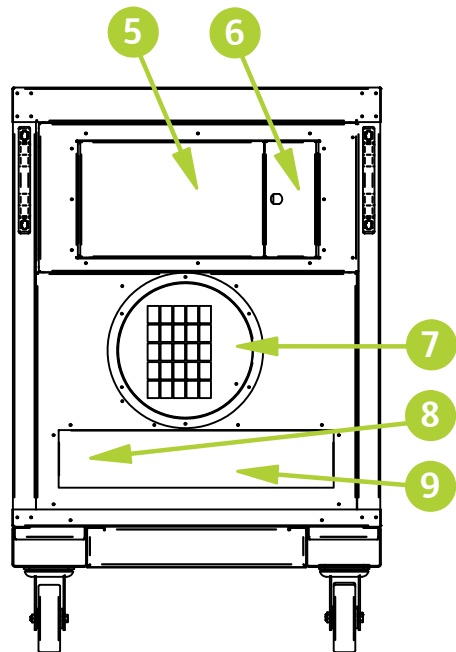
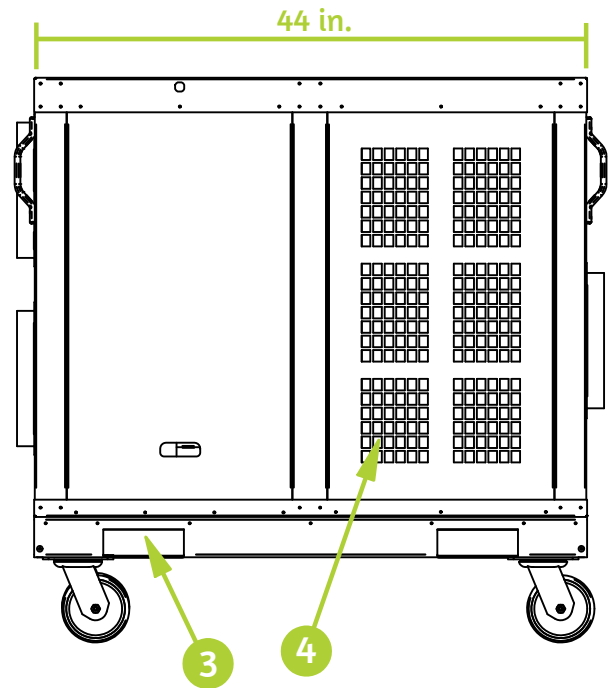
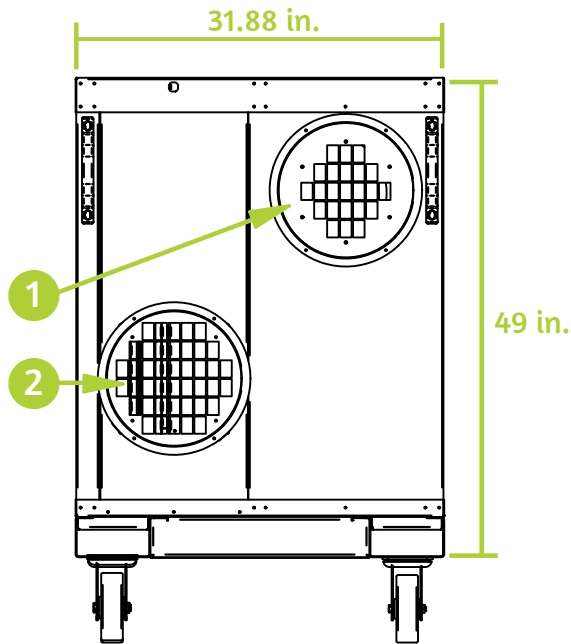


SPECIFICATIONS



KPO5-43



KPO5-43

- 1. Cold Air Supply
- 2. Cold Air Return
- 3. Fork Pocket
- 4. Condenser Air Inlet
- 5. Electrical Panel
- 6. Control Panel Access
- 7. Condenser Air Outlet
- 8. Condensate Nipple
- 9. Power Cord
- 10. Access Panel



ETL LISTED CONFORMS TO ANSI/UL1995
CERTIFIED TO CAN/CSA 22.2 NO 235

SPECIFICATIONS



KPO5-43

COOLING CAPACITY

BTU/hr @ 95F at 60% RH	60,000 (5 Ton)
Operating Temperatures	30 - 110 F 50%RH

HEATING OPTION

Heat Strips / BTU	12kW / 41,600
-------------------	---------------

COMPRESSOR DATA

Compressor Type	Scroll
Refrigerant	407C

FAN DATA

EVAPORATOR

Fan Type (Centrifugal)	Hyperdrive
Air Flow	2,400 CFM
Supply and Return Air Device	1 - 12" flanges for supply and 1 - 12" for return
Maximum Duct length	50 Ft. total for supply and return

CONDENSER

Fan Type (Centrifugal)	Direct Drive
Air Flow	3500 CFM
Condenser Exhaust flange	12"
Condenser Duct Max. Length	65 Ft.
Condenser fan speed control	Variable Frequency Drive

ELECTRICAL DATA

Power Supply	480V / 460V Three Phase
Current Consumption	14 amps
Power Consumption	10.03 kWh
Maximum Circuit Breaker	20 amps
Recommended Breaker Size	20 amps
Minimum Circuit Ampacity	17.4 amps
Min./Max. Voltage	420 - 500
Power Cord Gauge/Length	10 AWG/10 Ft.
Optional Camlocks	Color Coded Male Camlocks

CONSTRUCTION

Skid	12 Gauge G90 Galvanized Steel / Epoxy Powdercoat
Cabinet	16 Gauge G90 Galvanized Steel / Epoxy Powdercoat
Casters	6" Heavy Duty Swivel and Locking

DIMENSIONAL DATA

Width x Depth x Height	32" x 48" x 49" with 6" Wheels
Weight	700 Lbs.
Shipping Weight	757 Lbs.

SAFETY DEVICE DATA

Compressor Overload	Internal
Fan Motor Overload	Automatic Internal
Evaporator Freeze Protection	Hot Gas Bypass with variable fan speed control
High Pressure Switch	Manual
Low Pressure Switch	Automatic
Compressor Short Cycle	Yes
Automatic Restart	Yes
Thermostat Type	Digital
Condensate Pump Overflow	Yes
Internal Condensate Pump (high lift)	Yes