



SPECIFICATIONS

KBX1000

DESCRIPTION

1000 CFM Combination Air Scrubber | Negative Air Machine

AIR PURIFICATION

ULPA/HEPA Filter	99.97% @ > .3 Microns
UVC Light Wave Length	UVC 30 Watts / Max 85 Watts x2
Ionization	Needle Point Bi-Polar

FAN DATA

Fan Type (Centrifugal)	Direct Drive
Air Flow (CFM)	1000/875/750 - 3 Speed / Quad Directional
Top Discharge Stainless Flange	10 In. / Optional 12 In.
Optional CK-12S-SS Ceiling Kit	Optional 12" Dia. Ceiling Kit

ELECTRICAL DATA

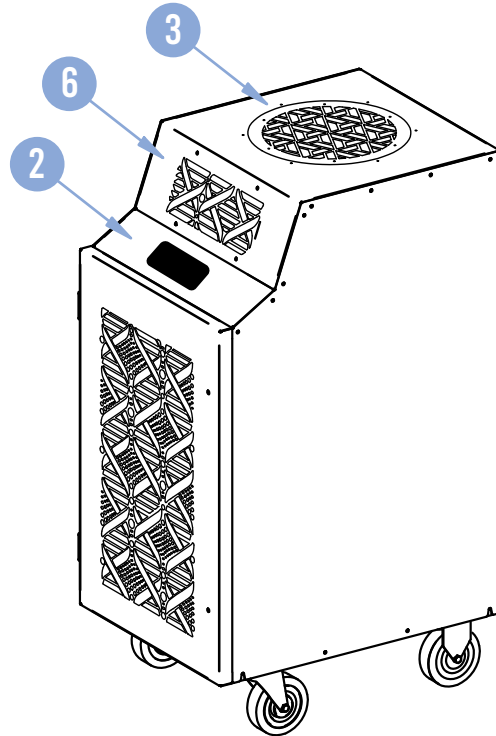
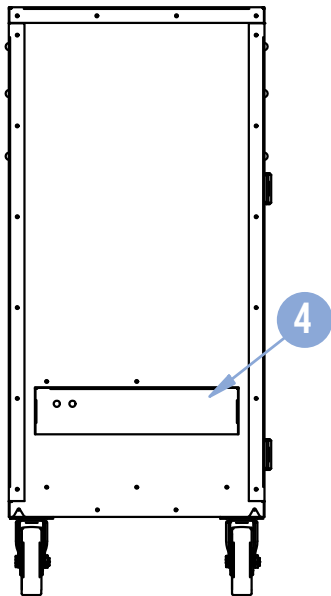
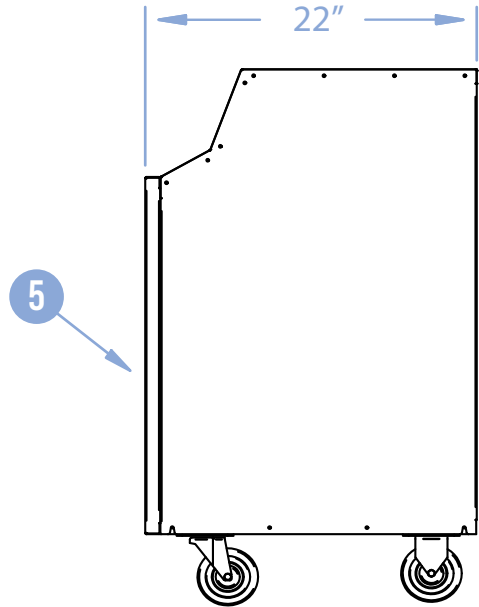
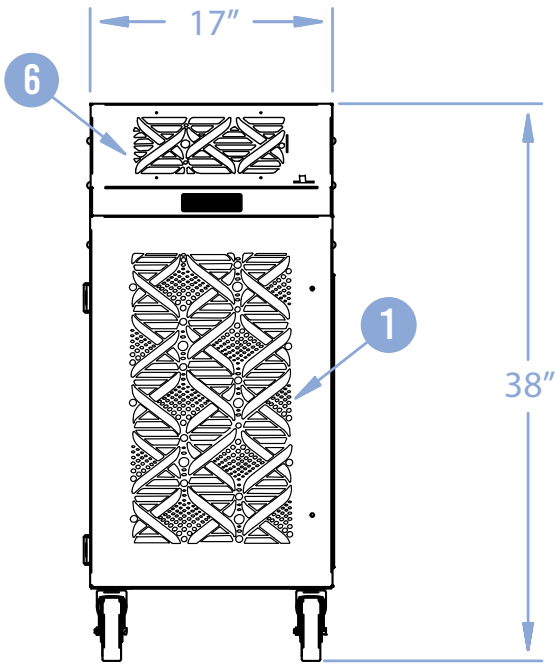
Power Supply	115 V / Single Phase
Current Consumption	6.04 Amps
Power Consumption	0.69 kW
Maximum Circuit Breaker	20 Amps
Recommended Breaker Size	15
Minimum Circuit Ampacity	6.375 Amps
Min/Max Voltage	105 - 125
Power Cord Gauge / Length in Feet	14 AWG / 6'
Plug Configuration	NEMA 5 - 15

DIMENSIONAL DATA

Width x Length x Height (inches)	16.5" x 22.25" x 38"
Weight (lbs)	90
Shipping Weight (lbs)	125
Ceiling Kit - CK - 12SS (lbs)	12
Total Shipping Weight w/ Ceiling Kit (lbs)	137

SAFETY DEVICE DATA

Fan Motor Overload	Automatic Internal
Automatic Restart	Yes



KBX1000

LEGEND

- 1. Room Air Return
- 2. Control Panel (Touch Pad)
- 3. Filtered Negative Air Supply
- 4. Cord Storage
- 5. Filter Access Door
- 6. Cleaned Room Air Supply

