

SPECIFICATIONS



KPO5-43

COOLING CAPACITY

BTU/hr @ 95F at 60% RH	60,000 (5-Ton)
Operating Temperatures	30 - 110 F 50%RH

HEATING OPTION

Heat Strips / BTU	12kW / 41,600
-------------------	---------------

COMPRESSOR DATA

Compressor Type	Scroll
Refrigerant	407C

FAN DATA

EVAPORATOR

Fan Type (Centrifugal)	Direct Drive
Air Flow	2,400 CFM
Supply and Return Air Device	1 - 12" flanges for supply and 1 - 12" for return
Maximum Duct length	50' each for supply and return

CONDENSER

Fan Type (Centrifugal)	Direct Drive
Air Flow	3500 CFM
Condenser Exhaust flange	12"
Condenser Duct Max Length	65"
Condenser fan speed control	Variable Frequency Drive

ELECTRICAL DATA

Power Supply	460v Three Phase
Current Consumption	14 amps
Power Consumption	10.02 kW
Maximum Circuit Breaker	20 amps
Recommended Breaker Size	20 amps
Minimum Circuit Ampacity	16.4 amps
Min./Max. Voltage	420-500
Power Quality Control	Internal Phase and Power Monitor
Power Connection	Color Coded Male Camlocks

CONSTRUCTION

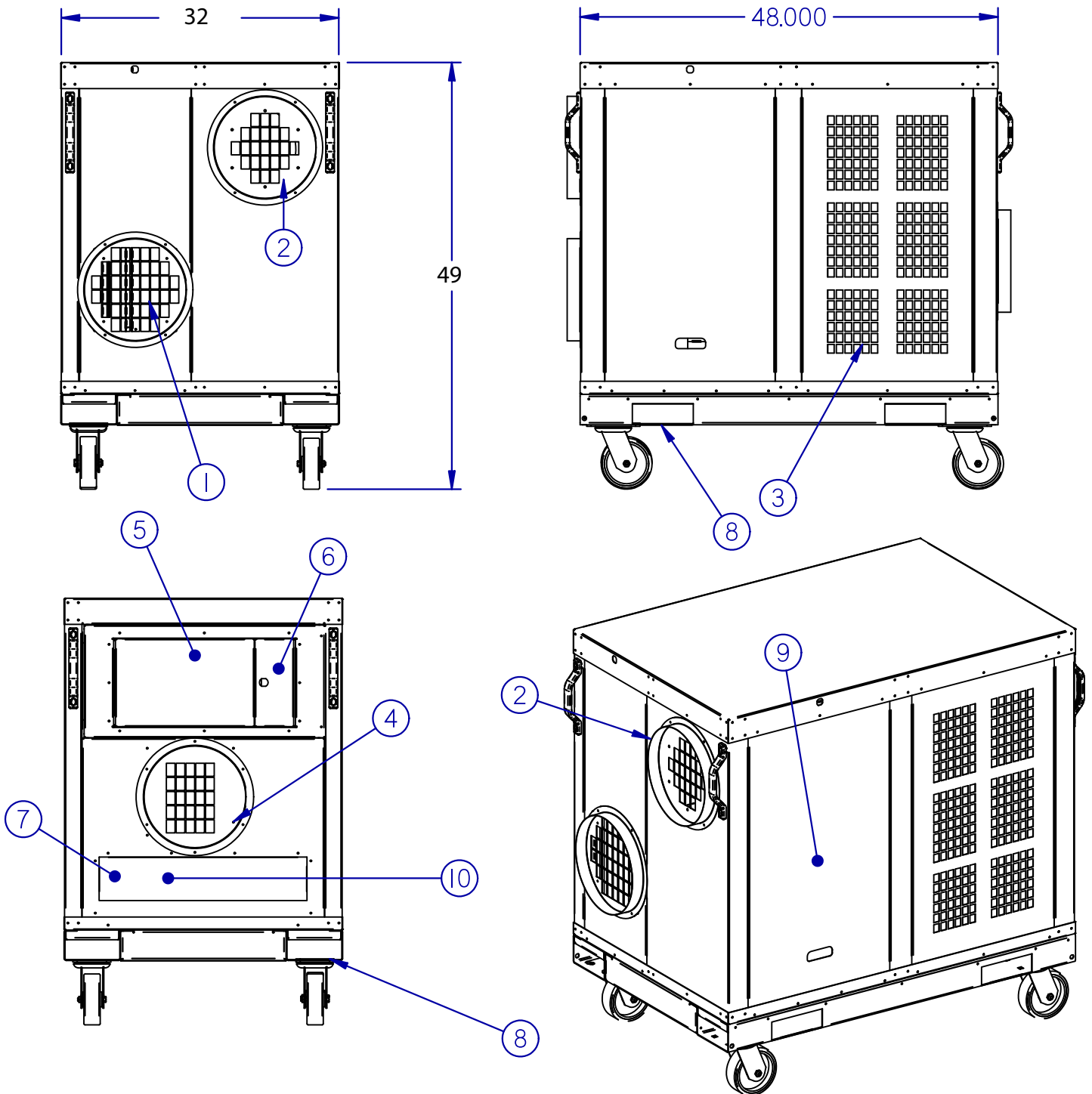
Skid	12 Gauge G90 Galvanized Steel / Epoxy Powdercoat
Cabinet	16 Gauge G90 Galvanized Steel / Epoxy Powdercoat
Casters	6" Heavy Duty Swivel / Locking

DIMENSIONAL DATA

Width x Depth x Height	32" x 48" x 49" with 6" Casters
Weight	710 Lbs.
Shipping Weight	767 Lbs.

SAFETY DEVICE DATA

Compressor Overload	Internal
Fan Motor Overload	Automatic Internal
Evaporator Freeze Protection	Hot gas bypass
High Pressure Switch	Manual
Low Pressure Switch	Automatic
Compressor Short Cycle	Yes
Automatic Restart	Yes
Thermostat Type	Digital
Condensate Pump Overflow	Yes
Internal Condensate Pump (high lift)	Yes



KPO5-43

LEGEND

- | | |
|-------------------------|-------------------------|
| 1. Cold Air Return | 6. Control Panel Access |
| 2. Cold Air Supply | 7. Condensate Nipple |
| 3. Condenser Air Inlet | 8. Fork Pocket |
| 4. Condenser Air Outlet | 9. Access Door |
| 5. Electrical Panel | 10. Power Cord |

