



## SPECIFICATIONS

# KBX1800

### DESCRIPTION

1800 CFM Combination Air Scrubber | Negative Air Machine

### AIR PURIFICATION

ULPA/HEPA Filter	99.97% @ > .3 Microns
UVC Light Wave Length	UVC 30 Watts / Max 85 Watts x2
Ionization	Needle Point Bi-Polar

### FAN DATA

Fan Type (Centrifugal)	Direct Drive
Air Flow (CFM) at zero external static	1800/1675/1550 - 3 Speed/ Quad Directional
Air Flow (CFM) with one opening closed	1600/1375/1250 - 3 Speed/ Quad Directional
Top Discharge Stainless Flange	12 In.
Optional CK-12S-SS Ceiling Kit	Optional 12" Dia. Ceiling Kit

### ELECTRICAL DATA

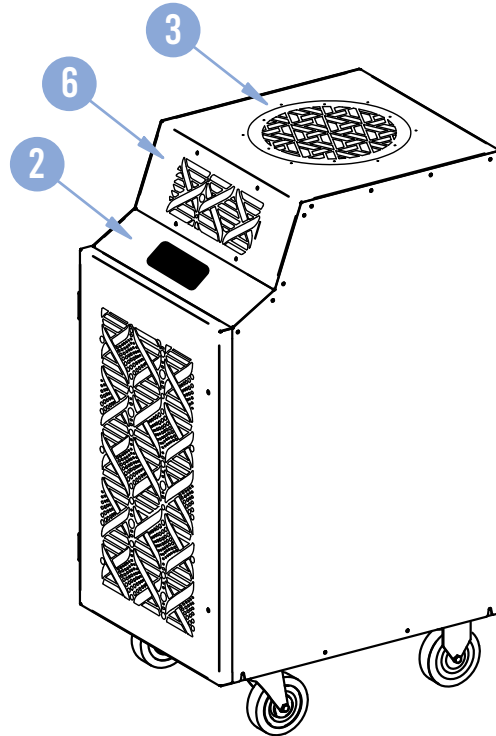
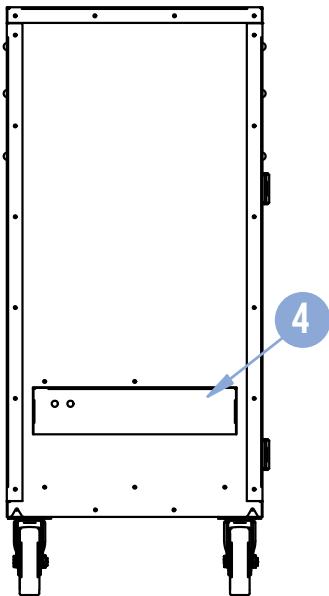
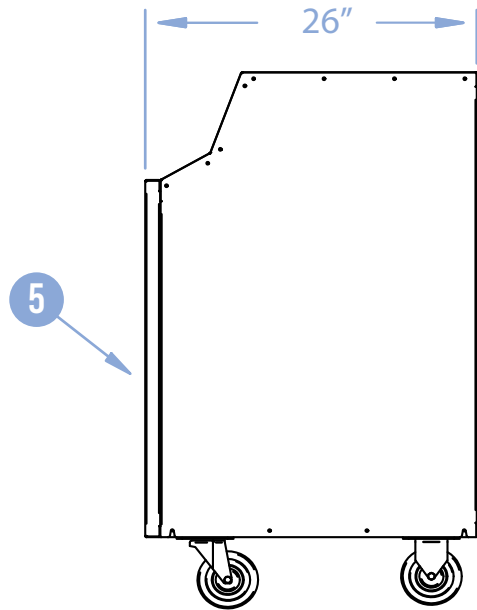
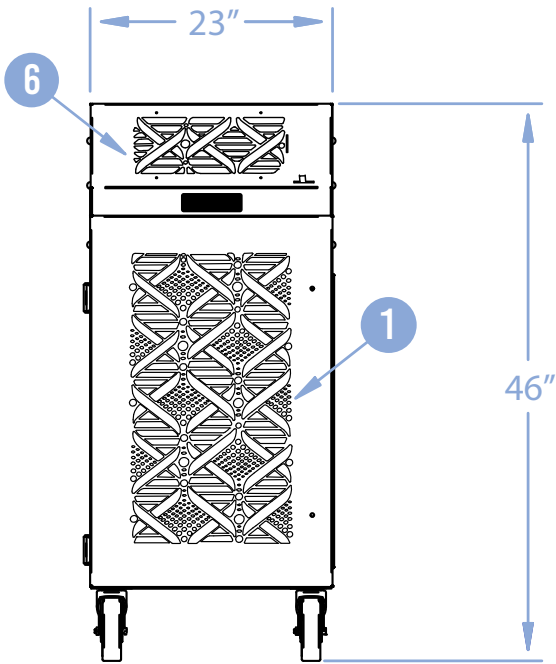
Power Supply (Volts)	115 V / Single Phase
Current Consumption (Amps)	7.3
Power Consumption (kW)	0.76
Maximum Circuit Breaker (Amps)	20
Recommended Breaker Size	15
Minimum Circuit Ampacity (Amps)	12.87
Min/Max Voltage	105 - 125
Power Cord Gauge / Length in Feet	14 AWG / 6'
Plug Configuration	NEMA 5 - 15

### DIMENSIONAL DATA

Width x Length x Height (inches)	23" x 26" x 46"
Weight (lbs)	135
Shipping Weight (lbs)	170
Ceiling Kit - CK - 12SS (lbs)	12
Total Shipping Weight w/ Ceiling Kit (lbs)	192

### SAFETY DEVICE DATA

Fan Motor Overload	Automatic Internal
Automatic Restart	Yes



# KBX1800

## LEGEND

- 1. Room Air Return
- 2. Control Panel (Touch Pad)
- 3. Filtered Negative Air Supply
- 4. Cord Storage
- 5. Filter Access Door
- 6. Cleaned Room Air Supply

