



SPECIFICATIONS

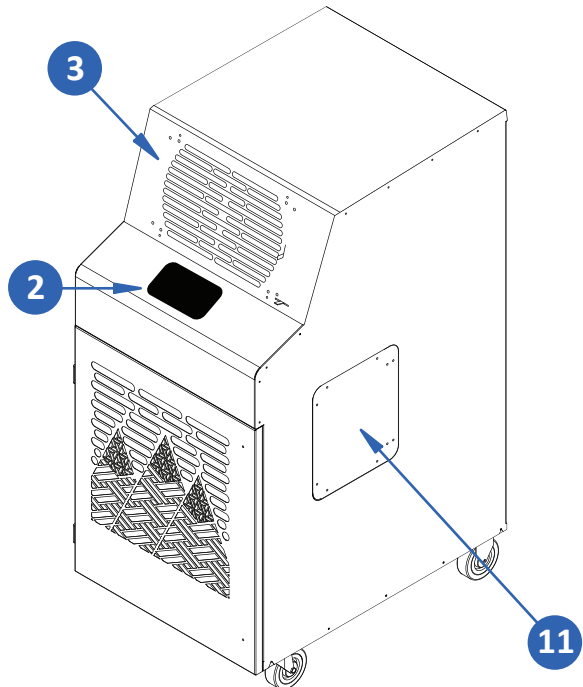
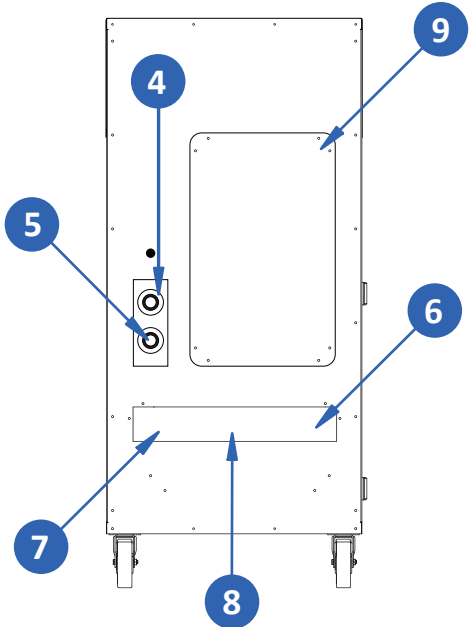
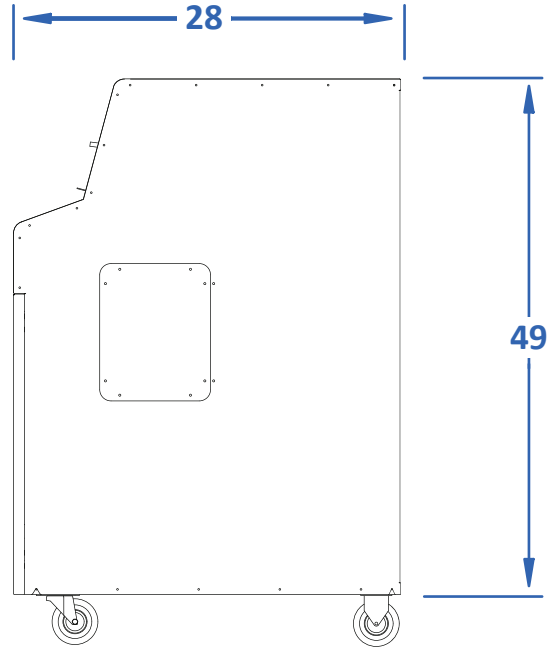
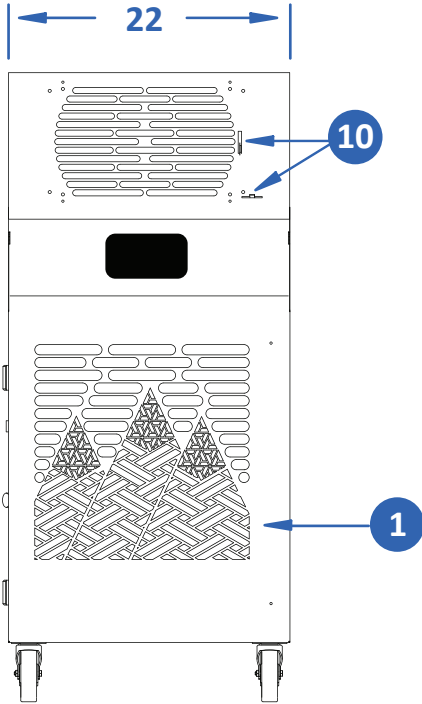
KWIB4221-3

COOLING CAPACITY	BTU/hr @ 95F at 60% RH	42,000 (3.5-Ton)
COMPRESSOR DATA	Compressor Type	Hermetic Rotary
	Operating Temperatures	60-110 F 50%RH
	Refrigerant	R 454 B
FAN DATA Evaporator	Fan Type (Centrifugal)	Direct Drive
	Air Flow (CFM)	1400/3 Speed
	Supply Air Device	Adjustable Vent
	Supply Air Chute Kit (optional)	2 - 8" Dia. x 21" Length
Condenser Water Flow Data	Flow Regulating Valve 1/2"NPT	Automatic
	Inlet Water 85F-95F Exit (GPM)	10.5
	Inlet Water 75F-95F Exit (GPM)	5.25
	Inlet Water 65F-95F Exit (GPM)	3.5
	Inlet Water 55F-95F Exit (GPM)	2.75
ELECTRICAL DATA	Power Supply (Volts)	230 Single Phase
	Current Consumption (Amps)	18.5
	Power Consumption (kW)	3.83
	Maximum Circuit Breaker (Amps)	30
	Recommended Breaker Size (Amps)	30
	Minimum Circuit Ampacity(Amps)	23.1
	Min./Max. Voltage	195-250
	Power Cord Gauge/Length	10AWG/10'
	Plug Configuration	Field Supplied
DIMENSIONAL DATA	Width x Depth x Height (Inches)	22" x 28" x 49"
	Weight (Lbs.)	350
	Shipping Weight (Lbs.)	400
SAFETY DEVICE DATA	Compressor Overload	Internal
	Fan Motor Overload	Automatic Internal
	Evaporator Freeze Protection	Hot Gas Bypass
	High Pressure Switch	Manual
	Low Pressure Switch	Automatic
	Compressor Short Cycle	Yes
	Automatic Restart	Yes
	Thermostat Type	Microprocessor/Digital
	Condensate Pump Overflow	Yes
Condensate Tank Overflow	Yes	

KWIKOOL.COM



1-800-KWIKOOL



KWIB4221-3

- | | | |
|---------------------------|--------------------------|----------------------------|
| 1. Cold Air Return | 6. Cord Storage | 11. Mechanical Access Door |
| 2. Touch Screen Control | 7. Condensate Nipple | |
| 3. Cold Air Supply | 8. Condensate Alarm Jack | |
| 4. Condenser Water Inlet | 9. Elec. Access Door | |
| 5. Condenser Water Outlet | 10. Vent Control | |



KWIKOOL.COM