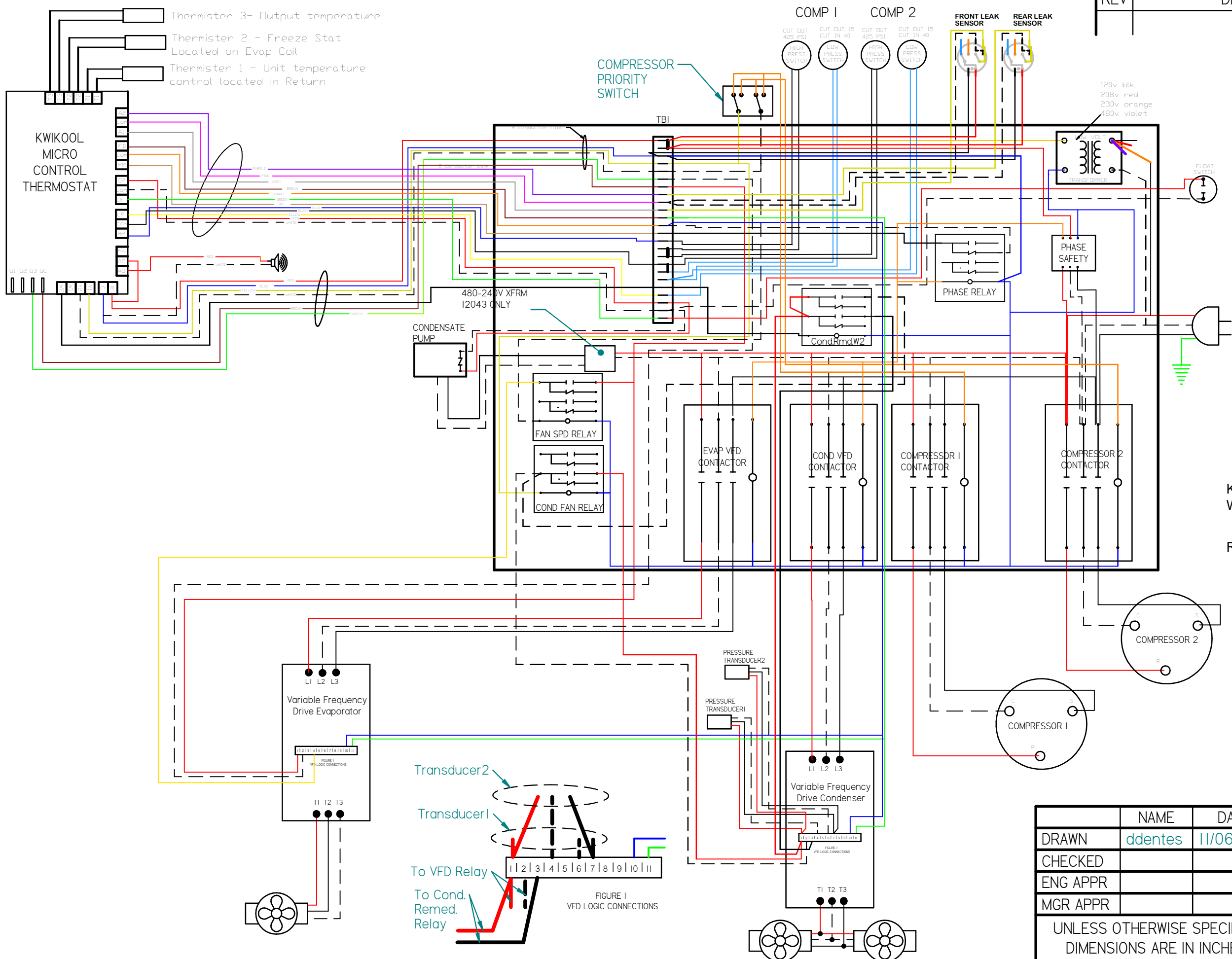
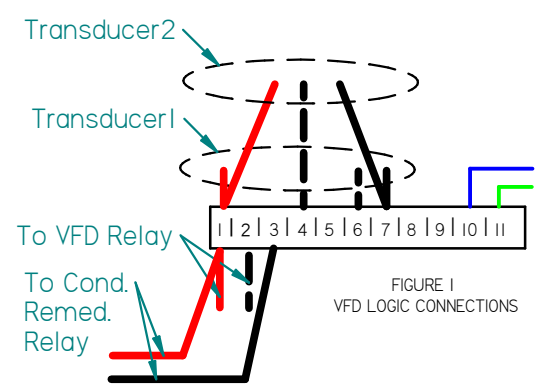


REV	DESCRIPTION	DATE	APPROVED



KIB120XX-3
With Phase Monitor
REVISED 11-06-2025



NAME	DATE	SOLID EDGE		
DRAWN	ddentes 11/06/25	UGS - The PLM Company		
CHECKED		TITLE		
ENG APPR		SIZE B DWG NO KIB-120xx-3 REV 2		
MGR APPR		FILE NAME: KIB120xx-3 Wiring 20251106.dft		
UNLESS OTHERWISE SPECIFIED DIMENSIONS ARE IN INCHES ANGLES ±X.X° 2 PL ±X.XX 3 PL ±X.XXX		SCALE:	WEIGHT:	SHEET 1 OF 1