

KIBIII 1411,1811

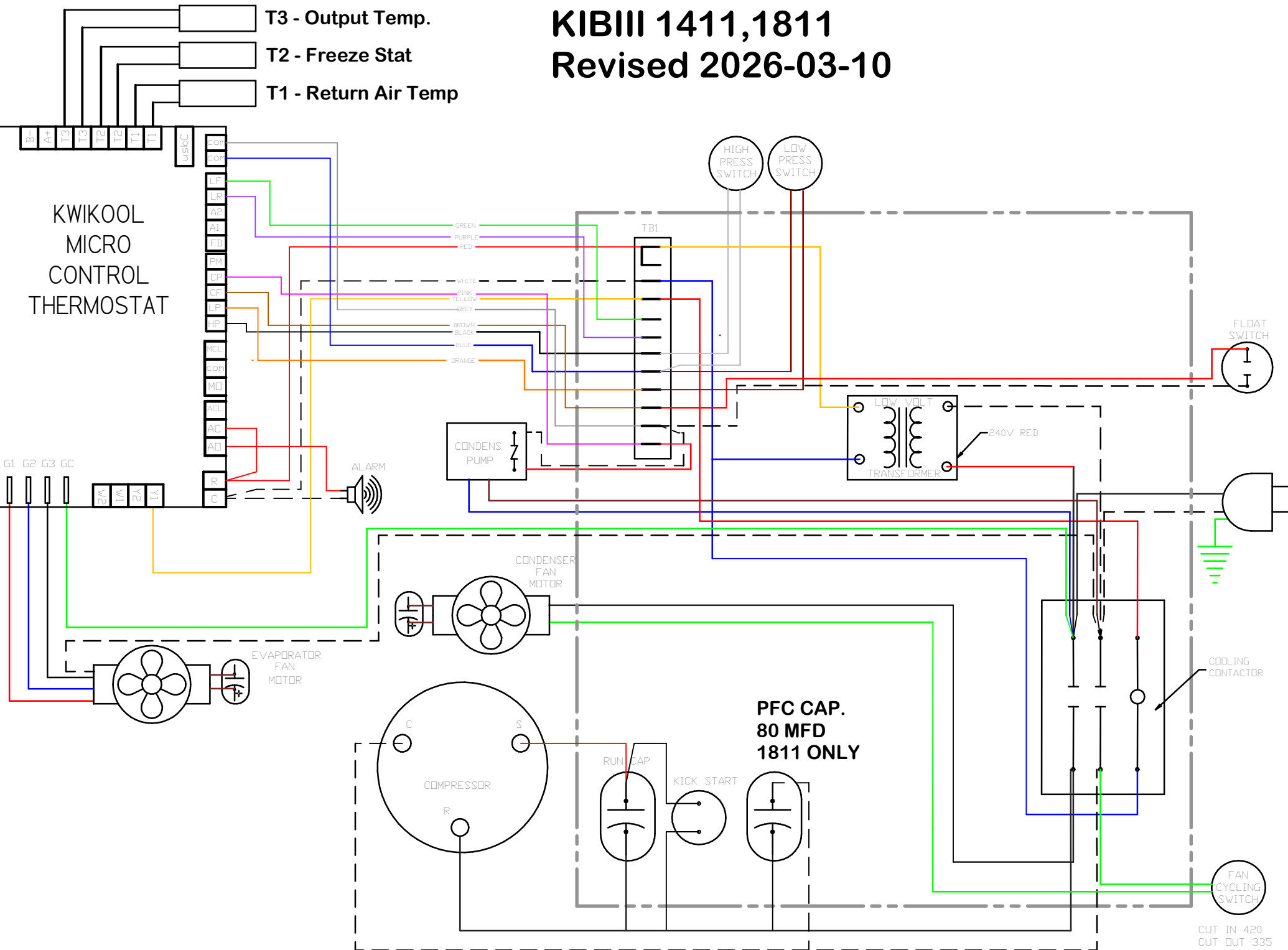
Revised 2026-03-10

T3 - Output Temp.

T2 - Freeze Stat

T1 - Return Air Temp

KWIKOOL
MICRO
CONTROL
THERMOSTAT



CUT IN 420
CUT OUT 335