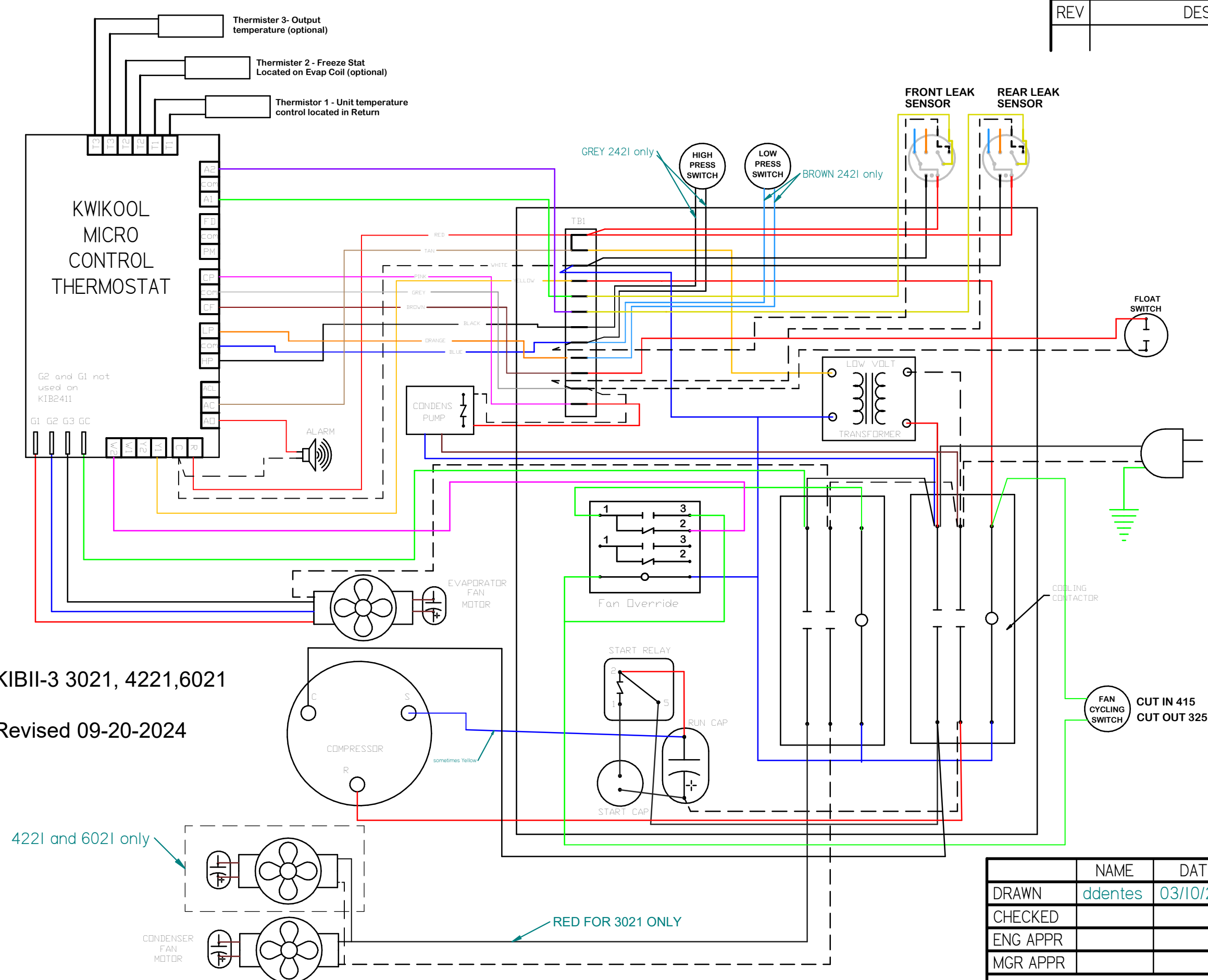
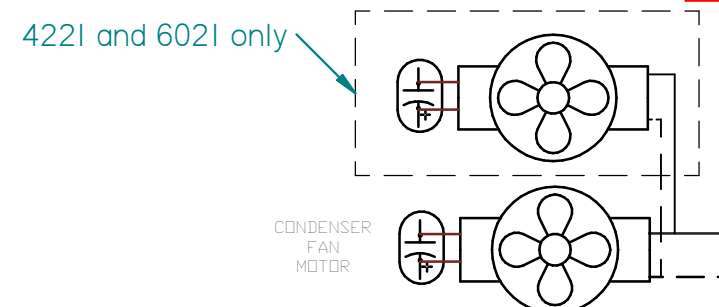


REVISION HISTORY			
REV	DESCRIPTION	DATE	APPROVED



KIBII-3 3021, 4221,6021
 Revised 09-20-2024



	NAME	DATE
DRAWN	ddentes	03/10/25
CHECKED		
ENG APPR		
MGR APPR		

KWIKOOL

TITLE: KIBXX21 Wiring 02-05-2025

UNLESS OTHERWISE SPECIFIED
 DIMENSIONS ARE IN INCHES
 ANGLES ±X.X°
 2 PL ±X.XX 3 PL ±X.XXX

SIZE	DWG NO	REV
B		
SCALE:	WEIGHT:	SHEET 1 OF 1