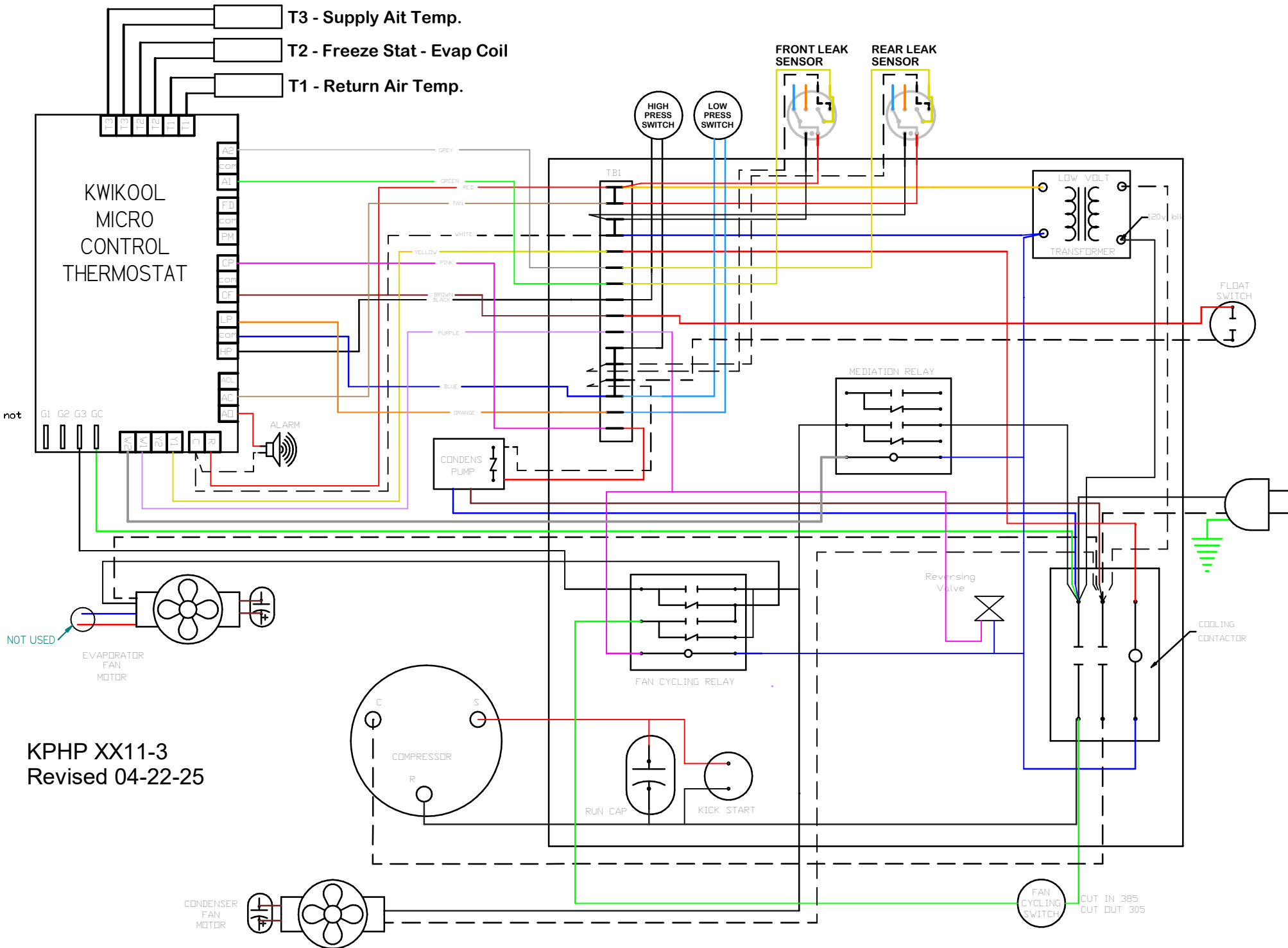


G2 and G1 not used on KIB2411



KPHP XX11-3  
Revised 04-22-25