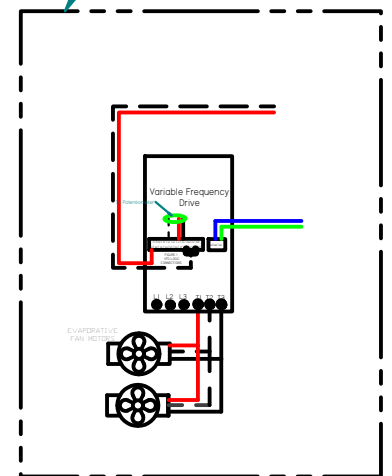


REVISION HISTORY

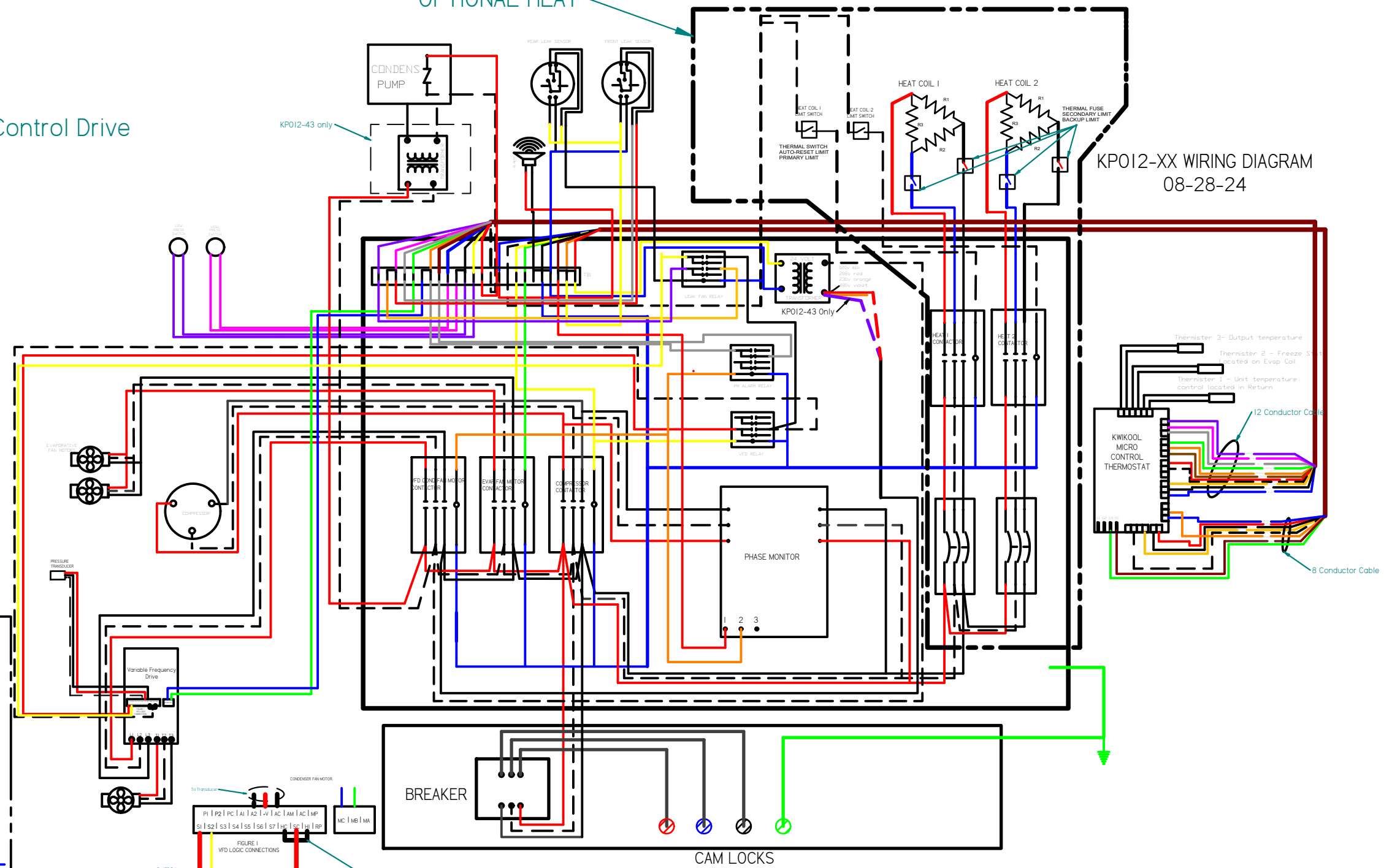
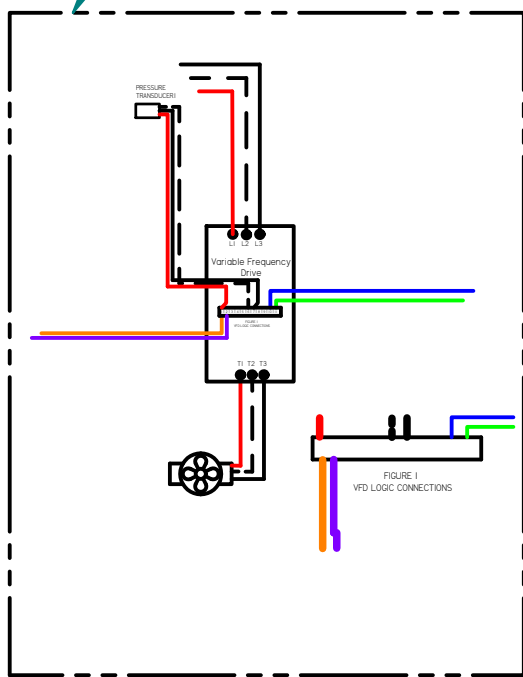
REV	DESCRIPTION	DATE	APPROVED

OPTIONAL HEAT

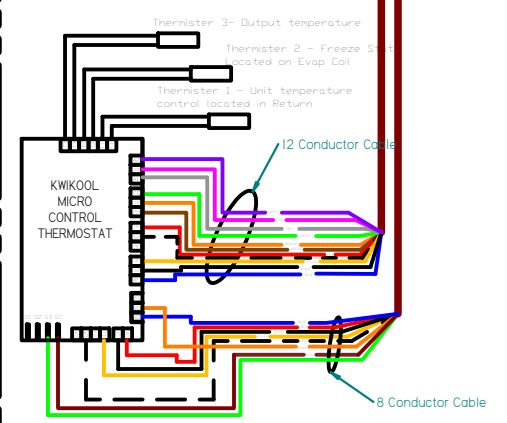
Option:
Evaporator Control Drive



Option:
Condenser Drive



KPO12-XX WIRING DIAGRAM
08-28-24



	NAME	DATE
DRAWN	mvolle	08/28/24
CHECKED		
ENG APPR		
MGR APPR		

KWIKOOL

TITLE
KPO12-xx Wiring

UNLESS OTHERWISE SPECIFIED
DIMENSIONS ARE IN INCHES
ANGLES ±XX°
2 PL ±X.XX 3 PL ±X.XXX

SIZE B	DWG NO	REV
FILE NAME: KPO12-X3-3-08-28-24.dft		
SCALE:	WEIGHT:	SHEET 1 OF 2