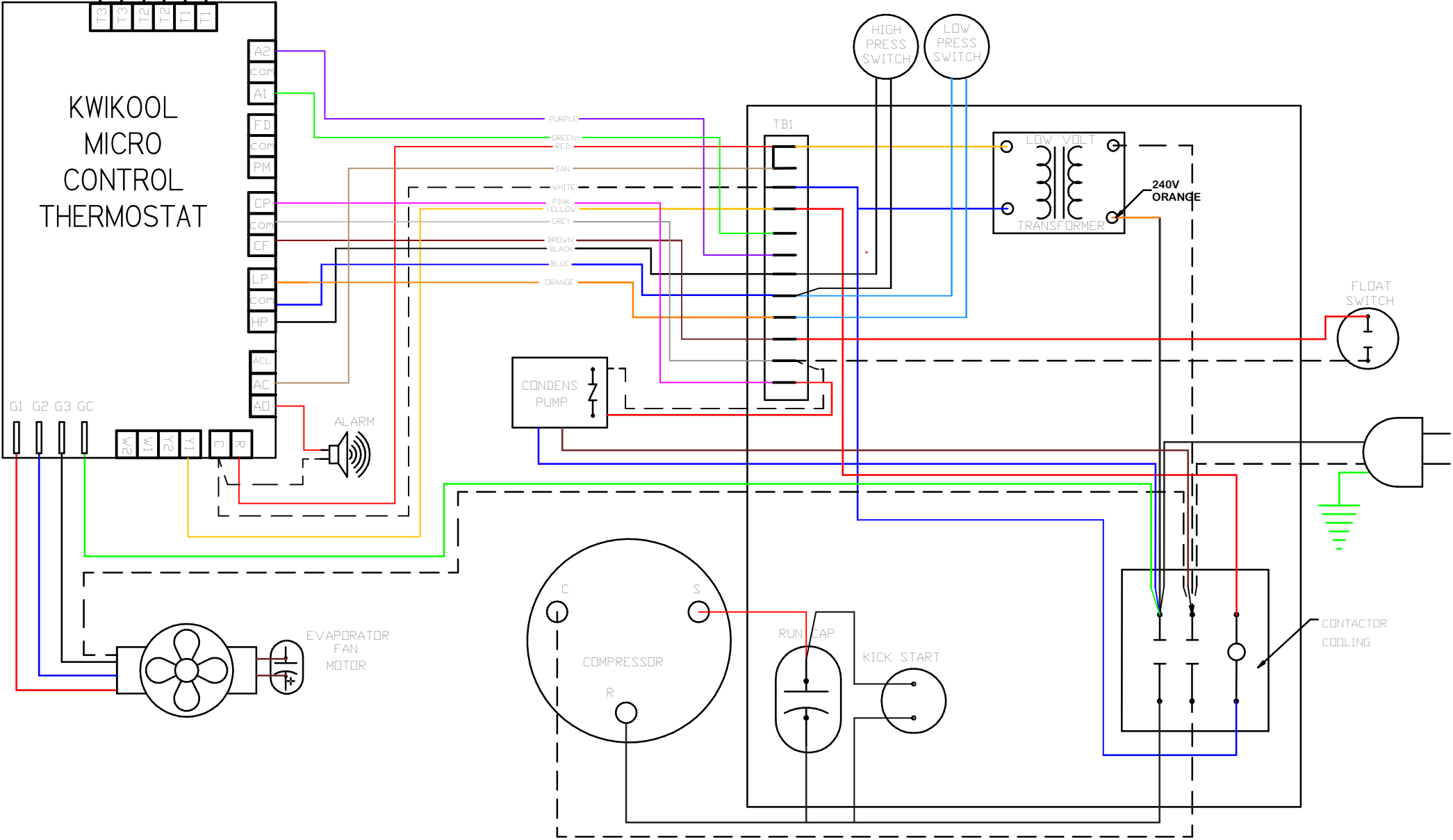


KWIBIII 2421

Revised 08-18-2025

T3 - Output Temp.
T2 - Freeze Stat
T1 - Return Air Temp



KWIKOOL
MICRO
CONTROL
THERMOSTAT

G1 G2 G3 GC

W2 W1 Y2 Y1 C R

EVAPORATOR
FAN
MOTOR

CONDENS
PUMP

COMPRESSOR

RUN CAP
KICK START

LOW VOLT
TRANSFORMER

240V
ORANGE

CONTACTOR
COOLING

FLOAT
SWITCH

HIGH
PRESS
SWITCH

LOW
PRESS
SWITCH

TB1

GND