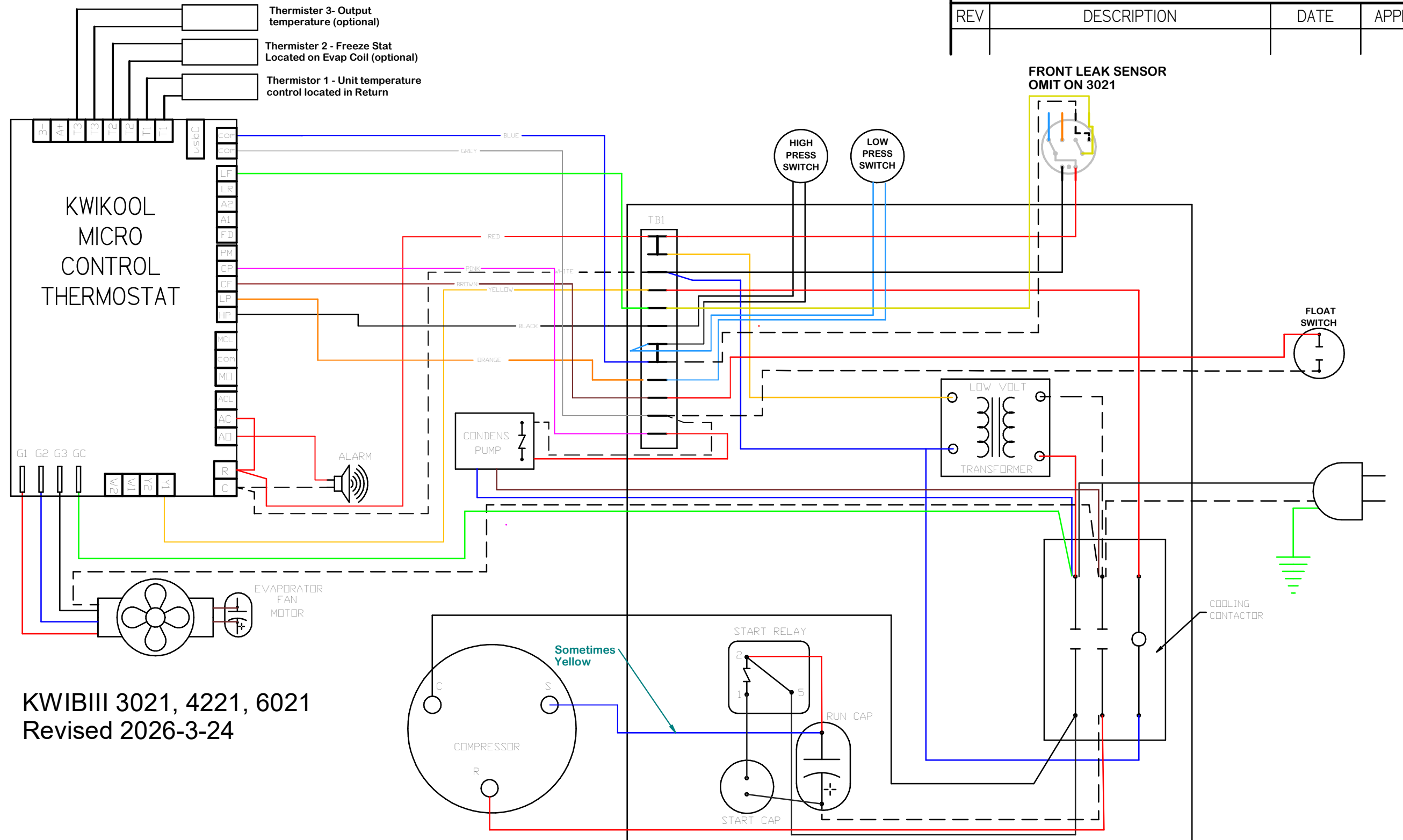


REVISION HISTORY

REV	DESCRIPTION	DATE	APPROVED



KWIBIII 3021, 4221, 6021
Revised 2026-3-24

	NAME	DATE	KWIKOOL		
DRAWN	ddentes	03/24/26			
CHECKED					
ENG APPR					
MGR APPR			TITLE		
UNLESS OTHERWISE SPECIFIED DIMENSIONS ARE IN INCHES ANGLES ±X.X° 2 PL ±X.XX 3 PL ±X.XXX			KIBXX2I Wiring 02-05-2025		
			SIZE B	DWG NO	REV
			SCALE:	WEIGHT:	SHEET 1 OF 1