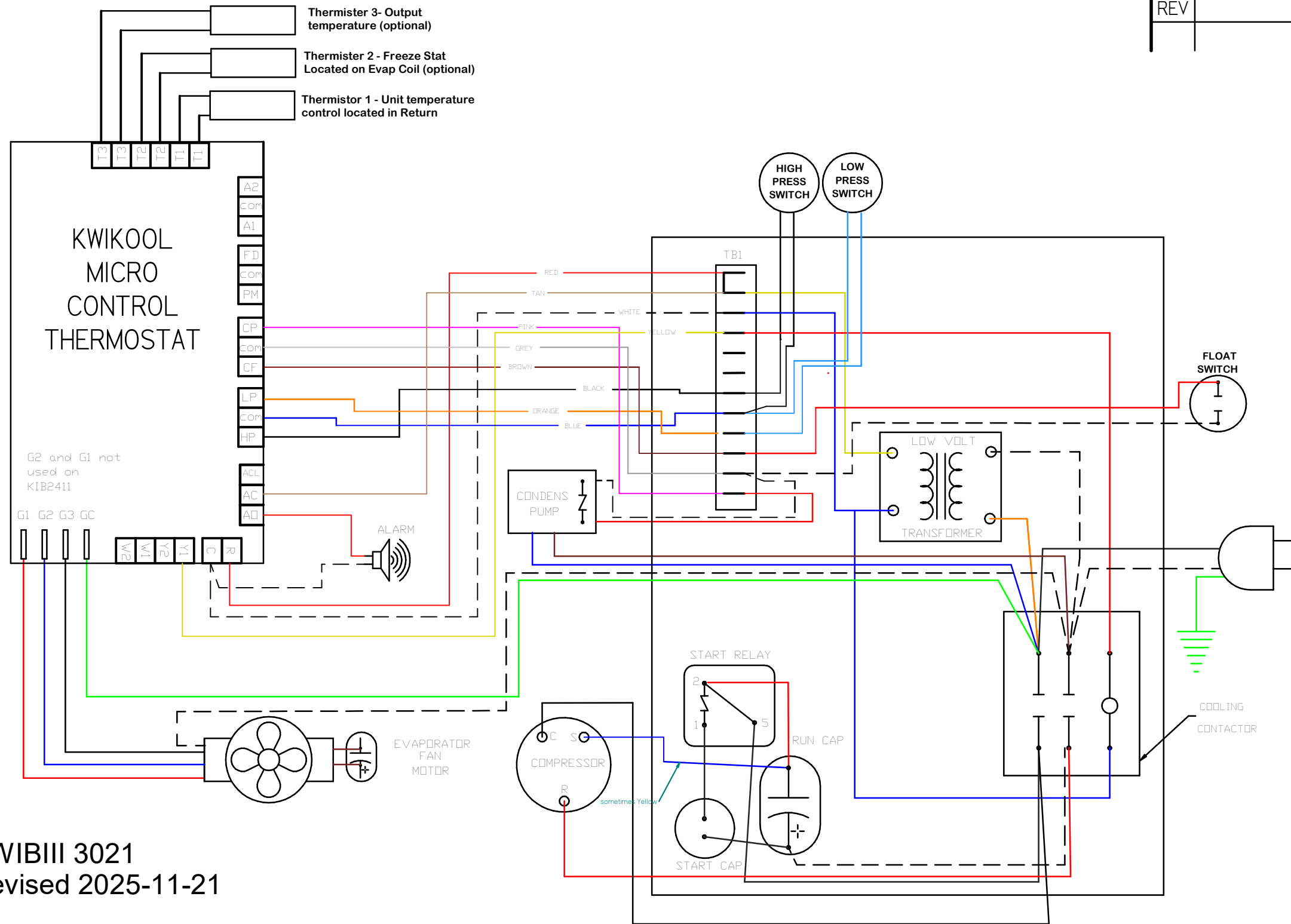


REVISION HISTORY

REV	DESCRIPTION	DATE	APPROVED



KWIBIII 3021  
Revised 2025-11-21

	NAME	DATE	<b>KWIKOOL</b>		
DRAWN	ddentes	11/21/25			
CHECKED					
ENG APPR					
MGR APPR			TITLE KWIBXX2I-3 Wiring 2025-11-21		
UNLESS OTHERWISE SPECIFIED DIMENSIONS ARE IN INCHES ANGLES ±X.X° 2 PL ±X.XX 3 PL ±X.XXX			SIZE	DWG NO	REV
			B		
SCALE:			WEIGHT:	SHEET 1 OF 1	