

COOLING CAPACITY

BTU/hr @95 F at 60%RH 13,800 / 1-Ton

AIR PURIFICATION

HEPA Filter 99.97% @ > .3 Microns
UVC Light Wave Length UVC 17 Watts / Max 85 Watts

COMPRESSOR DATA

Compressor Type Hermetic Rotary
Operating Temperatures 65-105°F 50% RH
Non-CFC Refrigerant R 454 B

FAN DATA EVAPORATOR

Fan Type (Centrifugal) Direct Drive
Air Flow (CFM) 460 / Single Speed
Supply Air Data Adjustable Vent
Supply Air Chute Data (Optional) 2 - 5" dia x 16" length

CONDENSER WATER FLOW

Flow Regulation Valve .5" NPT Automatic
Inlet Water 85F-95F Exit GPM 3
Inlet Water 75F-95F Exit GPM 1.5
Inlet Water 65F-95F Exit GPM 1
Inlet Water 55F-95F Exit GPM .75

ELECTRICAL DATA

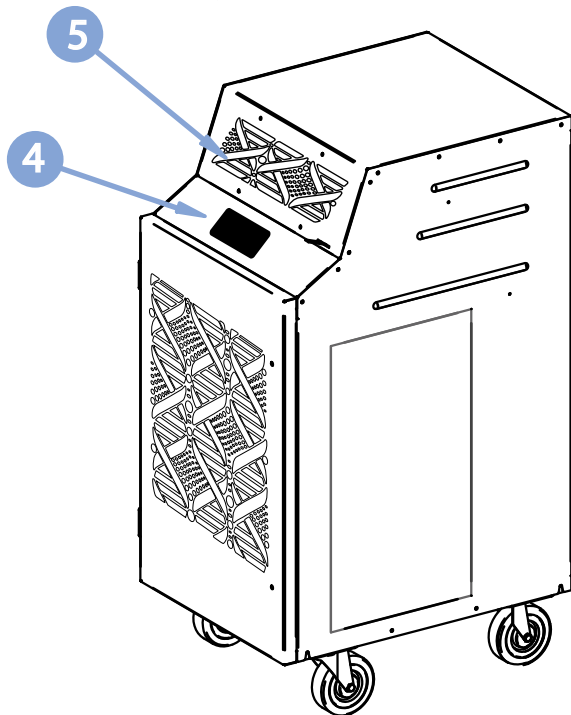
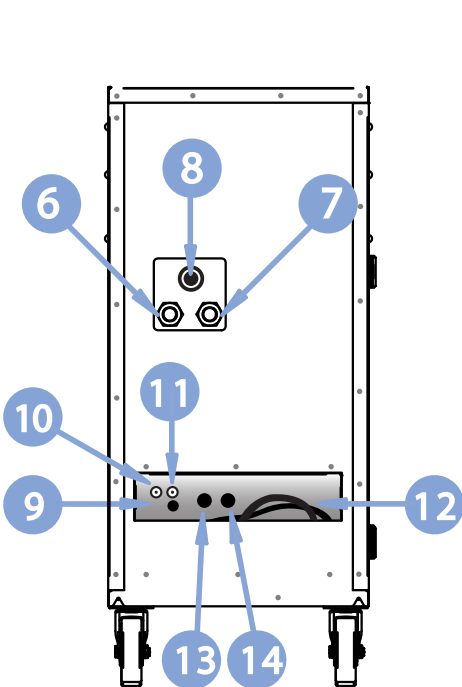
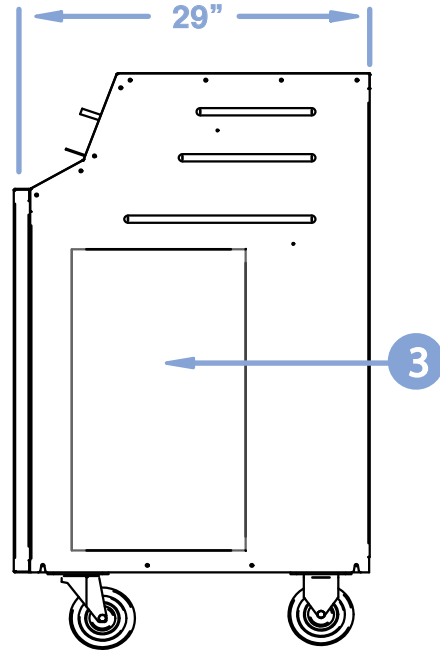
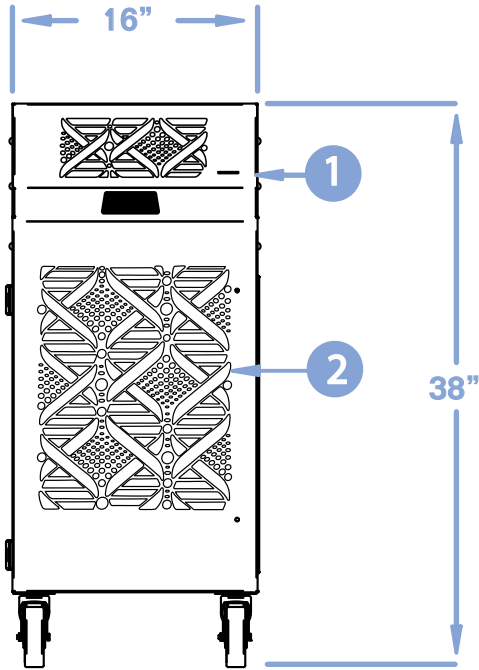
Power Supply (Volts) 115 V / Single Phase
Current Consumption (Amps) 11.2
Power Consumption (kW) 1.16
Maximum Circuit Breaker (Amps) 20
Recommended Breaker Size 15
Minimum Circuit Ampacity (Amps) 13.25
Min/Max Voltage 105 - 125
Power Cord Gauge / Length in Feet 14 AWG / 6'
Plug Configuration NEMA 5 - 15

DIMENSIONAL DATA

Width x Length x Height (inches) 16" x 29" x 38"
Weight (lbs) 189
Shipping Weight (lbs) 239

SAFETY DEVICE DATA

Compressor Overload External
Fan Motor Overload Automatic Internal
Evaporator Freeze-up Hot Gas Bypass
High Pressure Switch Manual
Low Pressure Switch Auto
Compressor Short Cycle Yes
Automatic Restart Yes
Thermostat Type Digital Microprocessor
Condensate Pump Overflow Yes
Condensate Tank Overflow Yes
Condensate Pump W/20" Head Pressure Yes



- | | |
|----------------------------|--------------------------------|
| 1) Vent Control | 8) Sight Glass (Remove Cover) |
| 2) Cold Air Return | 9) Condensate Alarm Jack |
| 3) Access Panel | 10) Condensate Nipple |
| 4) KoolPad Digital Control | 11) H.P. Reset Switch |
| 5) Cold Air Supply | 12) Condensate Alarm Jack |
| 6) Condenser Water Inlet | 13) High Pressure Service Port |
| 7) Condenser Water Outlet | 14) Low Pressure Service Port |

